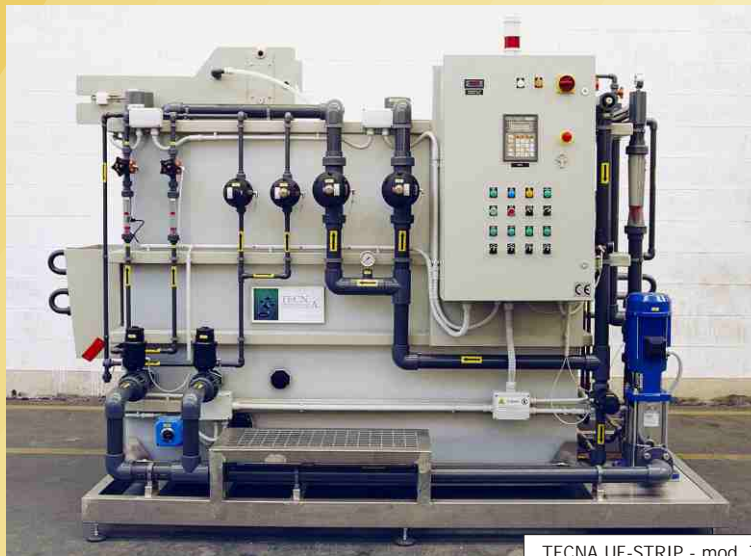


**Stripping Process Ultrafiltration**



TECNA UF-STRIP - mod. RTA



TECNA UF-STRIP - mod. TA

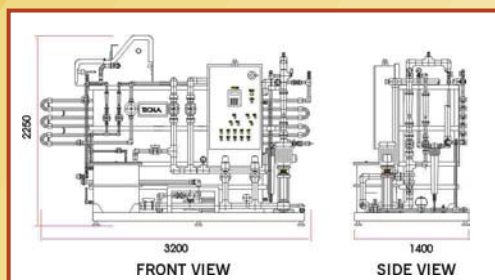
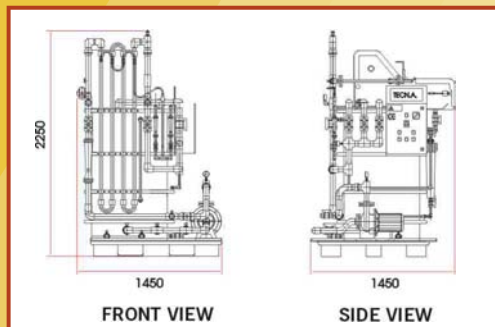
Tecna STRIP is a specialized Ultrafiltration System suitable for all processes of stripping carried out with a ready to use product which contains ethanolamine.

Ultrafiltration in reality represents the only way of use for these products, because of:

- High cost of the products themselves
- High level of pollution

On these solutions the quote of reuse is nowadays around 70%.

The very high ROI (Return On Investment) of this system (because of the recycling of very expensive industrial product) allows the price of the whole system to be recuperated in just a few months.



MODEL	2RTM	RTA	TA	DEV STRIP
Use	manual	auto	auto	manual
Capacity	25-50 lt/h	100-150 lt/h	100-400 lt/h	25-50 lt/h
Membranes	2-4	8-12	4-8-16	2-4
Membranes Length	1500 mm	1500 mm	3000 mm	1500 mm



TECNA Ultrafiltration  
mod. RTM DEV-STRIP

**TECNA DEV-STRIP**  
FLAKES SEPARATION  
(cyclon and paper)  
and  
ULTRAFILTRATION  
all on one system:  
the perfect  
economical solution  
for small  
productions.

[www.tecna-italy.com](http://www.tecna-italy.com)

**TECN.A. srl** - Strada Antica di None n.2 int. D1  
10092 Beinasco (TO) - ITALY  
Phone: (+39 011) 398-9491 - Fax: (+39 011) 397-2579  
tecna@tecna-italy.com - http://www.tecna-italy.com